



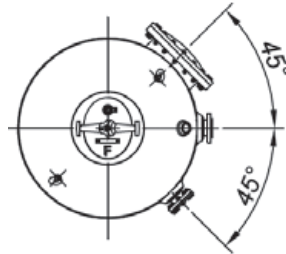
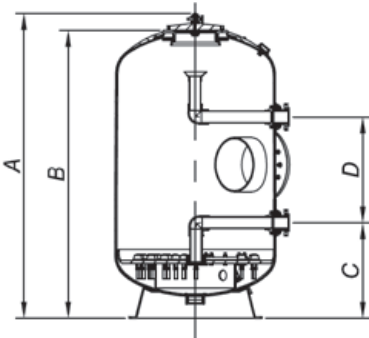
High-performance filters

- **Fiberpool® Technology** bobbin wound sand filters
- **Filters conforming to the Italian regulation UNI 10637/2015**
- Wide range of **diameters: 1050 mm to 2500 mm**
- **Operating pressure: 2.5 bar**
- Filtration bed depth: 1m
- Sand outlet diameter 63 or 90 mm, water drain 1"
- **Ball valve for air relief**
- May be installed individually or in battery

FIBERPOOL®
Technology

AS STANDARD:

- Nozzle plate,
- Top manhole
- Side manhole (oval: 400 x 295 mm / round: Ø 400mm)
- Sight glass 90 mm
- Maximum operating pressure: 3.75 bar
- Manometer with maximum pressure indicator



Dimensions

Reference	Diameter (mm)	Connection (mm)	Speed m ³ /h/m ²	Weight (kg)	Filtration area (m ²)	Sand (0.4-0.8) weight (kg)	Gravel (1-2) weight (kg)	Dimensions			
								A	B	C	D
HCFH40754WVNMS	1050	75	35	215	0.86	1150	150	2259	2132	675	820
HCFH40904WVNMS	1050	90	40-50	215	0.86	1150	150	2259	2132	675	820
HCFH47754WVNMS	1200	75	28	245	1.13	1525	175	2330	2190	725	810
HCFH47904WVNMS	1200	90	35-40	245	1.13	1525	175	2330	2190	725	810
HCFH551104WVNMS	1400	110	30	310	1.54	2075	250	2304	2177	735	815
HCFH55904WVNMS	1400	90	35-40	310	1.54	2075	250	2304	2177	735	815
HCFH631104WVNMS	1600	110	35	370	02.01	2725	325	2399	2272	780	850
HCFH631254WVNMS	1600	125	40-45	370	02.01	2725	325	2399	2272	780	850
HCFH701104WVNMS	1800	110	28	425	2.54	3450	375	2430	2290	810	800
HCFH701254WVNMS	1800	125	35	425	2.54	3450	375	2430	2290	810	800
HCFH701404WVNMS	1800	140	40-45	425	2.54	3450	375	2430	2290	810	800
HCFH791254WVNMS	2000	125	30	495	3.14	4250	475	2476	2350	810	800
HCFH791404WVNMS	2000	140	35	495	3.14	4250	475	2476	2350	810	800
HCFH791604WVNMS	2000	160	40-45	495	3.14	4250	475	2476	2350	810	800
HCFH982004WVNMS	2500	200	30	875	4.9	6625	750	2700	2560	1080	550
HCFH982254WVNMS	2500	225	40-50	875	4.9	6625	750	2700	2560	1080	550