

# Max Flo XL™

## Simplicity

- ➔ Optimised design and hydraulics
- ➔ **Quarter-turn opening cover** for easy maintenance
- ➔ **Union fittings provided** for easy installation
- ➔ Suitable for all types of pools **up to 80 m<sup>3</sup>**



### YEARS OF WARRANTY



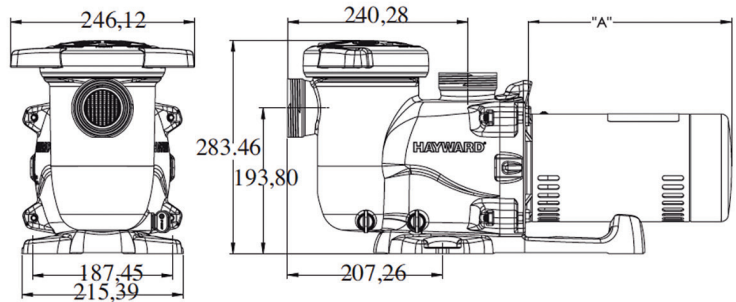
Service-ease design provides easy installation



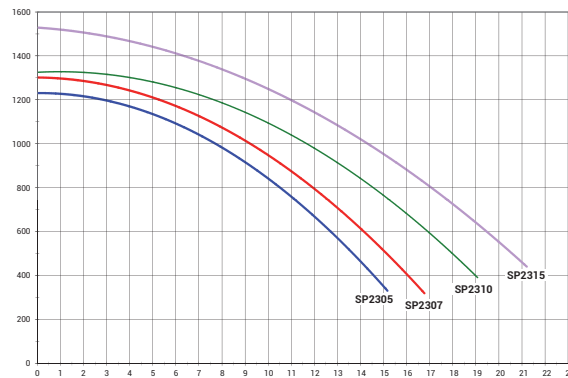
See through strainer cover



Drain plugs for an easy winterizing



Pressure (mbar)



Flow rate (m³/h)

SINGLE PHASE  
MAX FLO XL™

THREE PHASE  
MAX FLO XL™

Power (HP)	Slide A	Flow rate*	In/Out	Weight	Input Power P1	Output Power P2	Item
1/2	220 mm	10.5 m³/h	50 mm	12.9 kg	640 W	430 W	SP2305XE81
3/4	220 mm	12 m³/h	50 mm	12.9 kg	640 W	430 W	SP2307XE111
1	247 mm	14.5 m³/h	50 mm	13.9 kg	975 W	720 W	SP2310XE161
1.5	247 mm	17 m³/h	50 mm	14.07 kg	1100 W	790 W	SP2315XE221
3/4	216 mm	11.5 m³/h	50 mm	11.4 kg	640 W	430 W	SP2307XE113
1	216 mm	14.5 m³/h	50 mm	12.02 kg	975 W	690 W	SP2310XE163
1.5	247 mm	17 m³/h	50 mm	13.2 kg	945 W	750 W	SP2315XE223

\*To 8 meters water height