

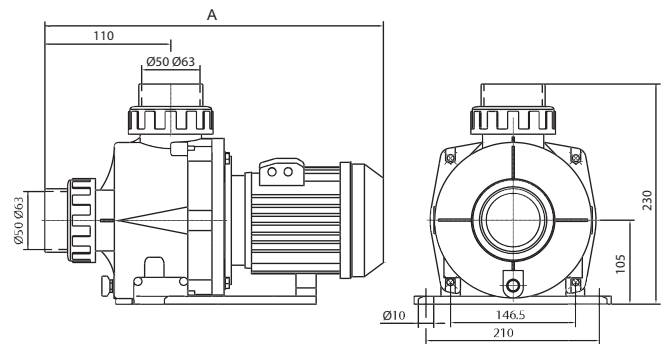
**2** YEARS OF WARRANTY



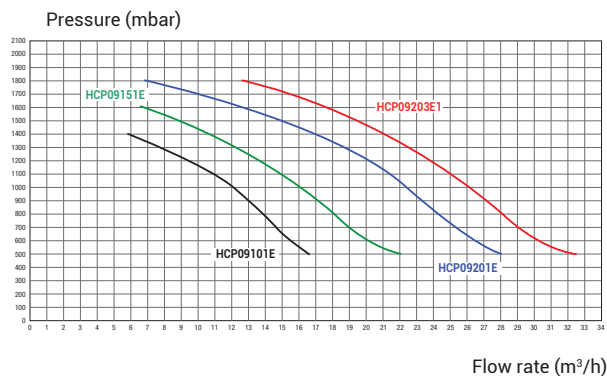
**IE3** ✓

## Centrifugal pumps for up stream equipment, spas

- The three-phase motors are compliant with the IE3 standard
- Turbine made of reinforced Noryl inserted with 303 stainless steel
- This pump is suitable to be used for salt water and sea water
- TEFC motor IP55, class F insulation
- Possibility of connecting the pump by means of diameter 50 or 63 mm socket unions
- Mechanical seal AISI 316
- Usages: up stream equipment, spas



### ➤ HCP 0900 Curves



HCP 0900  
SERIES

| Reference  | Type (HP) | Input power P1 (kW) | Flow rate* (m <sup>3</sup> /h) | Inlet / Outlet (mm) | Weight (kg) | Model                | Amperage (A) | Dim A (mm) |
|------------|-----------|---------------------|--------------------------------|---------------------|-------------|----------------------|--------------|------------|
| HCP09101E  | 1         | 1                   | 15.9                           | 50/63               | 12          | Single-phase 230V    | 5            | 412        |
| HCP09151E  | 1.5       | 1.6                 | 22.4                           | 50/63               | 14.5        | Single-phase 230V    | 7.5          | 442        |
| HCP09201E  | 2         | 1.92                | 26.2                           | 50/63               | 15.5        | Single-phase 230V    | 9            | 442        |
| HCP09203E1 | 2         | 1.92                | 26.2                           | 50/63               | 15          | Three-phase 230/400V | 5/2.9        | 442        |
| HCP09203E  | 2         | -                   | 26.2                           | 50/63               | -           | Three-phase 230/400V | -            | 442        |

\* under 10m water column pressure

**IE3** ✓